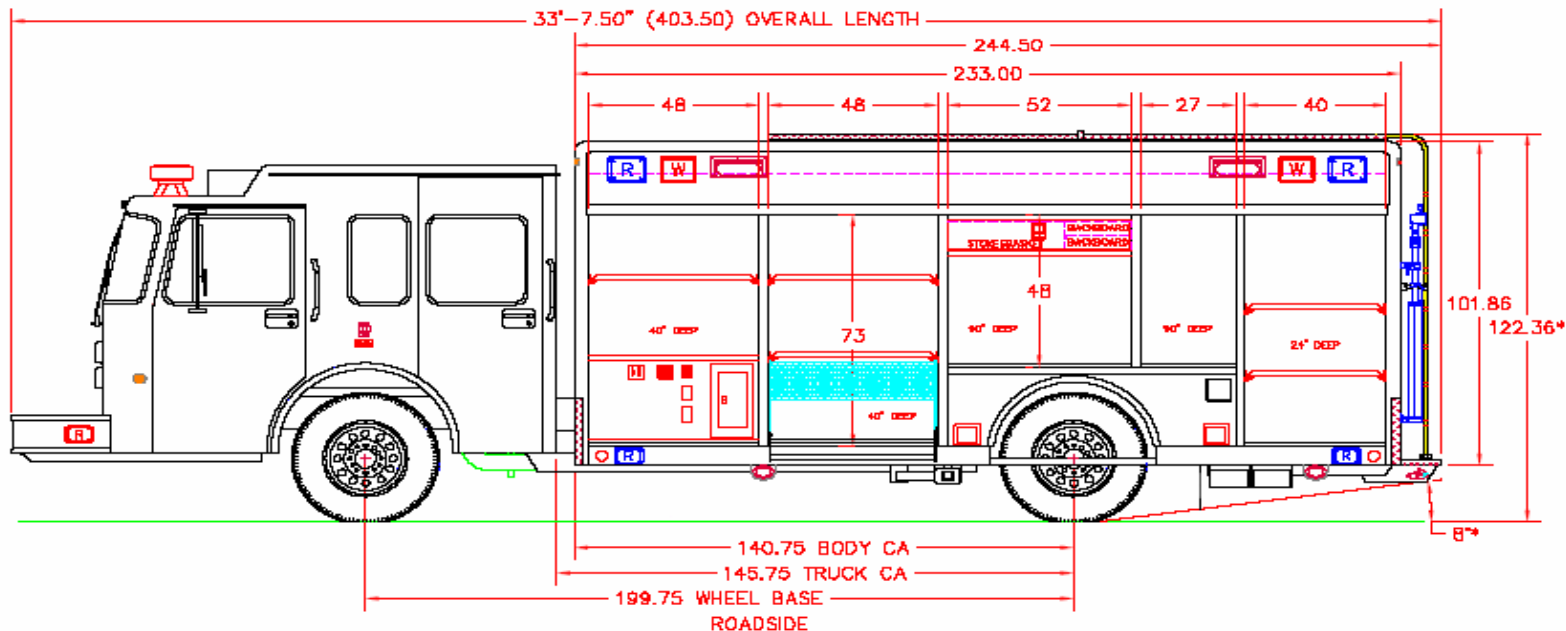


NOTE: \*ESTIMATED DIMENSIONS.  
MEASUREMENTS DEPEND ON CHASSIS,  
TIRES, SPRINGS, AND LOADING.



CUSTOM DESIGNED FOR:  
08F09270  
CW WILLIAMS STOCK UNIT  
ROCKY MOUNT, NC

THIS PRINT AND ALL RIGHTS TO THE DESIGN AND DETAIL THEREON ARE THE PROPERTY OF HACKNEY, WASHINGTON, N.C. AND IS LOANED TO THE RECIPIENT SUBJECT TO RETURN UPON DEMAND. ITS CONTENTS ARE CONFIDENTIAL AND MUST NOT BE COPIED OR SUBMITTED TO OUTSIDE PARTIES FOR USE OR EXAMINATION.

© 2007 HACKNEY  
A Division of VT-SVC

UNLESS OTHERWISE SPECIFIED

DIMENSIONS ARE IN INCHES  
TOLERANCES ARE:  
1. P.L. DECIMALS ±  
2. P.L. DECIMALS ±  
ANGLES ±  
FUNCTIONELL

DRAWN BY DATE  
KMB 12/4/07

APPROVED BY DATE

SUPERSEDED

SUPERSEDED BY

SCALE

1=30



EMERGENCY VEHICLES  
DIVISION  
WASHINGTON, NC 27886-0880

3-ESV-11 RTX 73/48

MODEL: DFC11734R

ROCKY MOUNT, NC

D-07C-738